

# WATER CONTROL SYSTEM

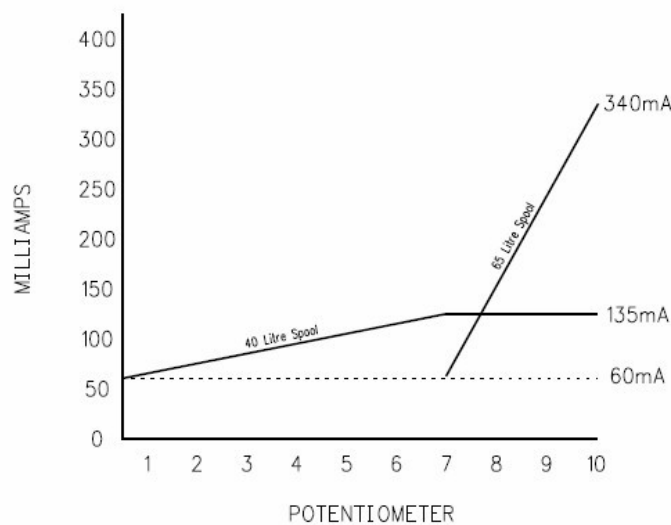
## PART NO. WICS

(FOR APITECH VALVE)



### Proportional Water Flow Command

When the potentiometer on the dash is rotated clockwise, the 40 Litre Valve opens until the potentiometer is approximately 68%, then the 65 Litre Valve will start to open in conjunction with the 40 Litre Valve as indicated in the graph below.



### Maximum Water Flow Command

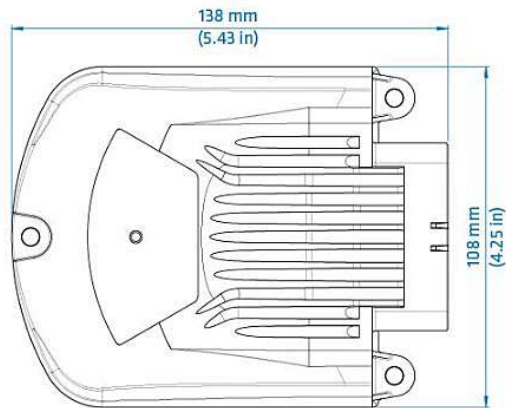
Both the 40 Litre Valve and 65 Litre Valve will be open fully allowing maximum water flow.

### Dust Collector Command

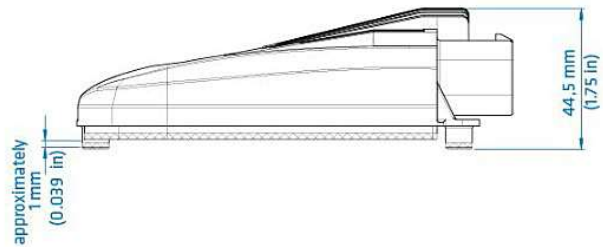
Both the 40 Litre Valve and 65 Litre Valve will be fully closed and the Dust Collector Solenoids will be activated via 24V outputs 11 & 12.

## DIMENSIONS

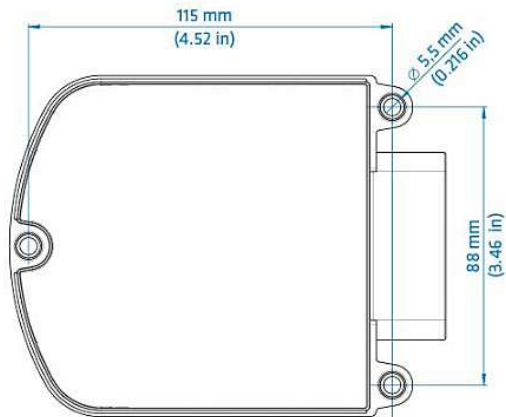
Unit dimensions from the top:



Unit dimensions from the side:



Fastening hole dimension:



## SPECIFICATIONS

Supply	9-32VDC
Protection	IP67
Operating Temperature	-40/85°

CAED PTY LTD  
6 CESSNOCK ST. CESSNOCK. 2325. NSW  
PH: 0249 912567  
E: [caed@caed.com.au](mailto:caed@caed.com.au)  
Web: [www.caed@caed.com.au](http://www.caed@caed.com.au)