

# MOBILE MACHINE CONTROL SYSTEM

PART NO. MMCS



## **BRIEF SYSTEM DESCRIPTION**

The MMCS controller is small in size (147 x 113 x 46 mm) and all indication is via a 5 softkey 4.3" display screen. (134.2 x 91.2 x 56.1 mm).

The Mobile Machine Control system combines control for different vehicle types into one controller. It may be used for Trucks, Dozers, Graders, Loaders and Water Trucks. Depending on the vehicle type, the controller can be switched via the configuration menu.

The following functions can be included in the one unit which should cater for any options your customer requires.

- Idle Timer (Option)
- E/stop check and alarm indication
- Lube Fault Detection
- Ladder Down indication
- Ladder Air Control (Option)
- Ladder Motor Control (Option)
- Hedweld Ladder Control (Option)
- Ladder Raise Interlock (Option)
- Anti-Start Function
- Anti-Crank function if engine running
- Bleed Down Function
- Access Light Control
- Shutdown Alarm (both immediate and delay shutdown option) handling & indication
- Warning Alarm & indication handling
- Battery Over voltage / Under voltage alarm
- Ladder Down with Brake Alarm
- Body Up Interlock

This product is flexible and can be customised to your needs for other ideas or requirements.

## START UP SCREEN (MODEL CHECK SCREEN)



- When the screen is first powered up, the screen will display the detail of which program is installed.
- The above description is the default setting.

## MAIN SCREEN



- When the touchscreen is powered up, the above screen will be displayed after the model check screen is shown for 3 seconds.
- The yellow area displays System descriptions, Alarm and Warning details. If there are no alarms or warning messages the display will show "SYSTEM OK".
- Messages will scroll between all the warning and alarm messages

## ADDITIONAL SCREENS

### MENU



### PASSWORD



### DIGITAL I/O DIAGNOSTIC



### ENGINE SPEED ALARM TEST



### FUNCTION OPTION & SETTING



### CALIBRATION



### ALARM HISTORY



## CURRENT FUNCTIONS & ALARM MESSAGES AVAILABLE

Customisation available.

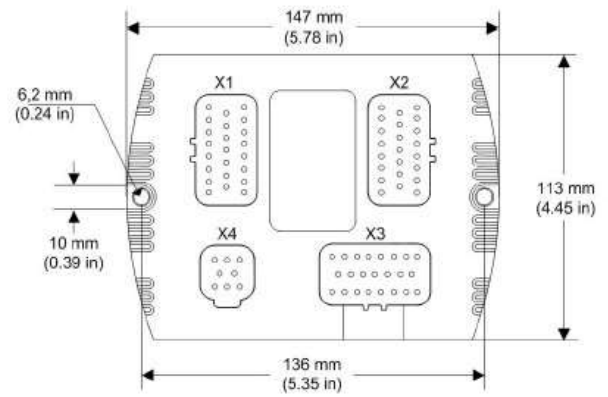
SYSTEM OK	BRAKE OVERTEMP ALARM CALL SHOP	OVER VOLTAGE (OVER 29V)	LIVE FUELING
3 MINUTES IDLE DOWN ACTIVATED	BRAKE OVERTEMP WARNING	LOW VOLTAGE (UNDER 22V)	CAB E/STOP IS ACTIVATED
LADDER DOWN	ENGINE OVSPEED WARNING	KEY SWITCH OFF AND PARK BRAKE RELEASED	BODY UP INTERLOCK OVERRIDE
AUTO LUBE FAIL (PRESSURE)	ENGINE OVSPEED ALARM CALL SHOP	GROUND E/STOP ACTIVATED	LUBE FAULT RESET EXCEEDED CALL SHOP
DOOR OPEN AND PARK BRAKE RELEASED	E/STOP CIRCUIT COMPROMISED	LADDER DOWN AND PARK BRAKE RELEASED	FIRE SYSTEM ACTIVATED

## CONTROLLER DIMENSIONS

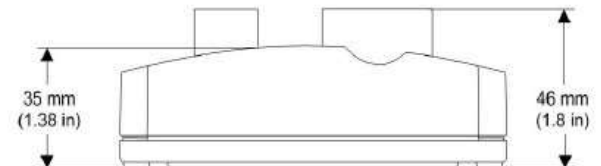
### SPECIFICATIONS

Supply	9-32VDC
Protection	IP67
Operating Temperature	-40/85°

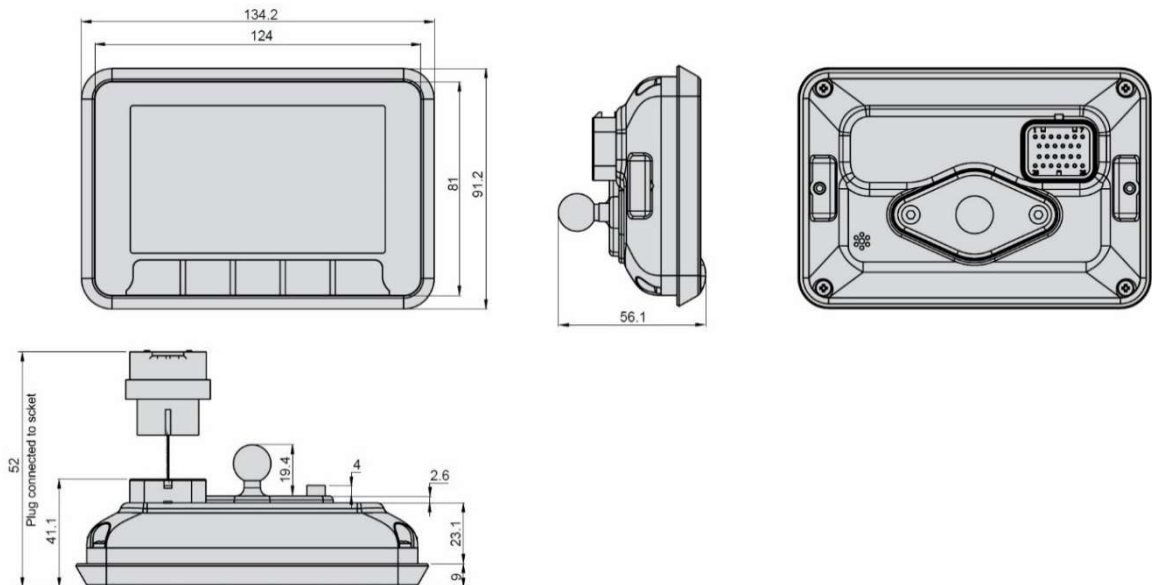
Unit dimensions from the top:



Unit dimensions from the side:



## TOUCHSCREEN DIMENSIONS



### SPECIFICATIONS

Supply:	8-32VDC, I <sub>max</sub> 2A
Protection:	IP65
Operating Temperature:	-30 / 75°C

CAED PTY LTD  
 6 CESSNOCK ST. CESSNOCK, 2325. NSW  
 PH: 0249 912567  
 E: [caed@caed.com.au](mailto:caed@caed.com.au)  
 Web: [www.caed.com.au](http://www.caed.com.au)