

MAST ANGLE INDICATOR with HEADING

PART NO. MAIR+H



GENERAL OPERATION

The Mast Angle Indication System with Heading is used to display - machine pitch, roll and heading values.

The system can save the last position values of operation, giving the operator assistance of how to set the machine for the next drilling operation.

The operator adjusts the machine Mast to be in the correct position and drill angle each time.

SUPPLIED PRODUCTS:

- Touchscreen Controller
- Incline Sensor

CONTROLLER PRODUCTS:

- Vertical Drilling Lock
- Angle Drilling Lock
- Heading Lock

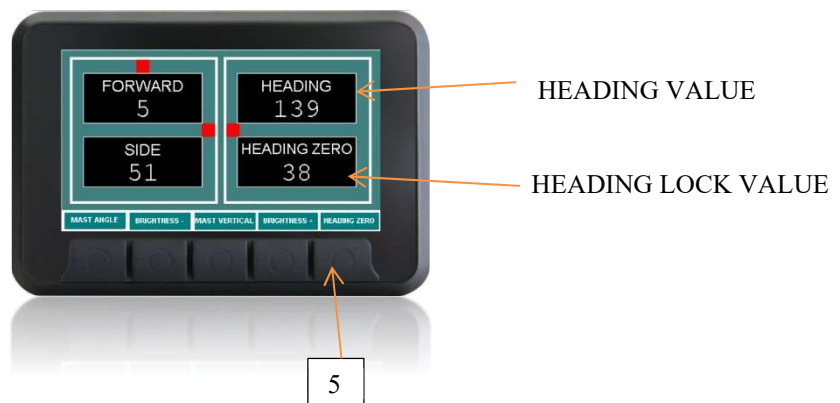
CALIBRATION SETUP

- To Calibrate the sensor on installation, square the mast up by using a spirit level press buttons 1 & 3 at the same time.



HEADING DIRECTION OPERATION

- Slew the machine in the direction to the correct heading and press button 5. The Heading Lock Value will now “tare to zero”



- Slew the machine in the direction of the red box till the Heading Lock Value equals zero. In the image below, the operator would Slew left to correct setting (Values will be zero).



MAST ANGLE OPERATION

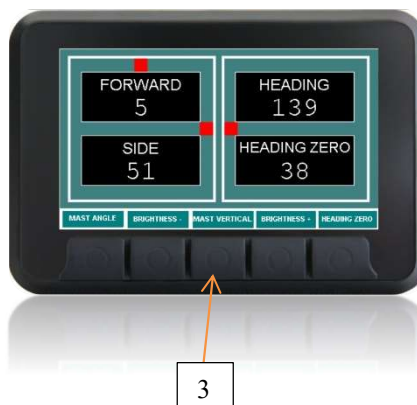
- Move the Mast Joystick in the direction to the correct angle and press button 1.
- The Mast Angle Values will now “tare to zero”



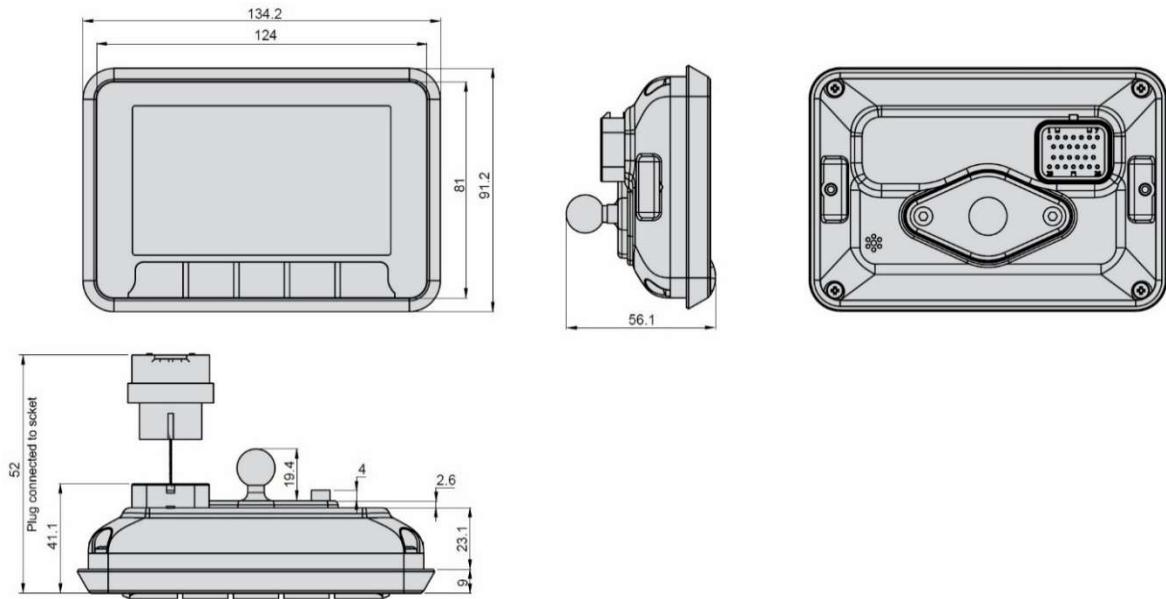
- Move the Mast Joystick in the direction of the red box till the Angle Lock Value equals zero
- In the image the operator would move the joystick Forward and Right to move mast to the correct setting (Values will be zero).



- To return the Mast Angle lock to Vertical, press button 3



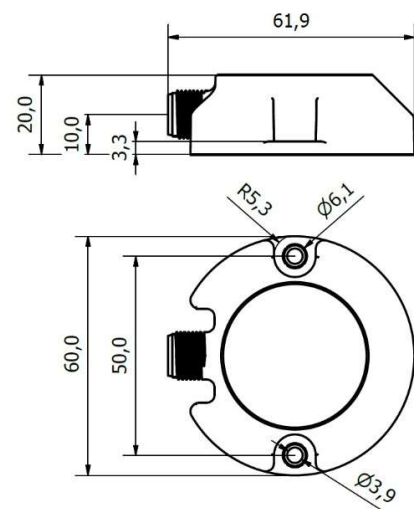
TOUCHSCREEN SPECIFICATIONS



Supply: 8-32VDC, I_{max} 2A
 Protection: IP65
 Operating Temperature: -30 / 75°C

INCLINE SENSOR SPECIFICATIONS

Operational Voltage: 6-32 VDC
 Power Consumption: 0.5w
 Operating Temperature: -40 – 85 °C
 Measurement Range: Pitch/Roll/Heading: 0-360°
 Dimensions: D: 60 x H: 22 mm
 Protection Rating: IP67
 Connection: Standard Can M12-5 Pin Male Connector



CAED PTY LTD
 6 CESSNOCK ST. CESSNOCK. 2325. NSW
 PH: 0249 912567
 E: caed@caed.com.au
 Web: www.caed.com.au