

# FAN & WATER CONTROL SYSTEM

## PART NO. FWICS



### Brief System Description

The Fan Control System is designed to save fuel. It reduces load on the engine by controlling fan demand as required by the set parameters.

### Functional Operation Description of Fan Control

The Fan Control System has a pre-set delay time of 10 seconds (in milliseconds) after the engine is started before running the Fan (default start speed is set to 12%).

The Fan Control System senses the Temperature of the - Engine Coolant (default 70° C), Hydraulic Oil (default 65° C) and Compressor Oil (default 80° C), and will increase Fan Speed by a pre-set amount (default 4%) for every degree of increase above the pre-set temperature.

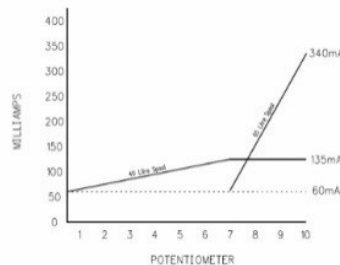
If an open circuit occurs in any temperature sensor, the Fan speed will automatically run at 100%.

**Note:** The Speed parameter (0-100%) above refers to the open position of the Solenoid Valve (0-590mA) and not the actual speed of the Fan.

### Functional Operation Description of Water Control (for Apitech valve)

#### **Proportional Water Flow Command**

When the potentiometer on the dash is rotated clockwise the 40 Litre Valve opens until the potentiometer is approximately 68% then the 65 Litre Valve will start to open in conjunction with the 40 Litre Valve as indicated in the graph below.



#### **Maximum Water Flow Command**

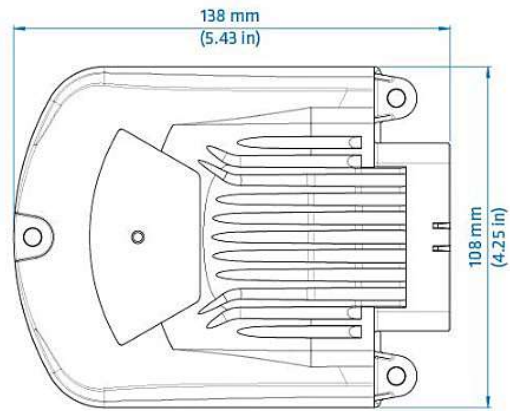
Both the 40 Litre Valve and 65 Litre Valve will be open fully allowing maximum water flow.

#### **Dust Collector Command**

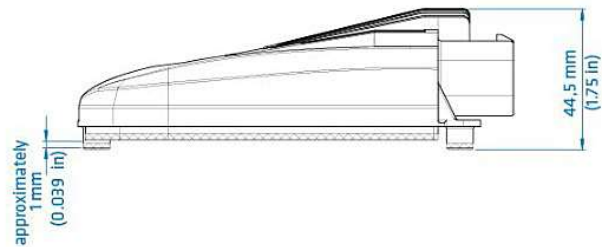
Both the 40 Litre Valve and 65 Litre Valve will be fully closed, and the Dust Collector Solenoids will be activated via 24V outputs 11 & 12.

## DIMENSIONS

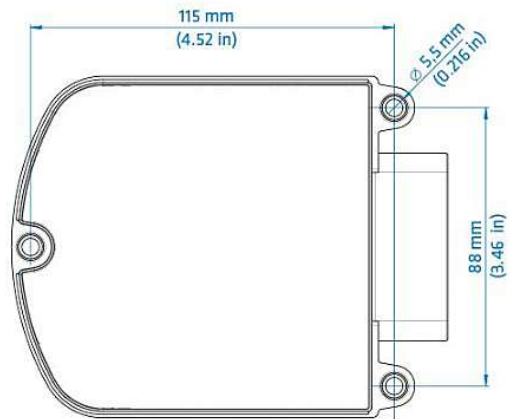
Unit dimensions from the top:



Unit dimensions from the side:



Fastening hole dimension:



## SPECIFICATIONS

Supply	9-32VDC
Protection	IP67
Operating Temperature	-40/85°

CAED PTY LTD  
6 CESSNOCK ST. CESSNOCK. 2325. NSW  
PH: 0249 912567  
E: [caed@caed.com.au](mailto:caed@caed.com.au)  
Web: [www.caed.com.au](http://www.caed.com.au)